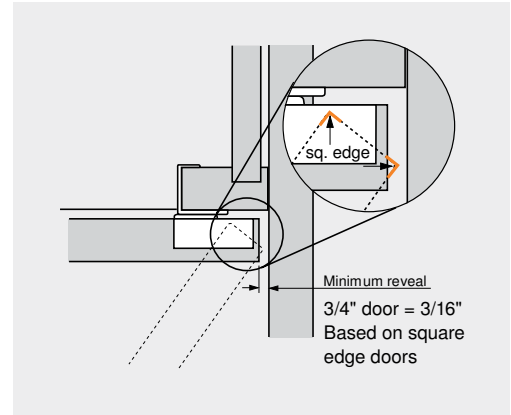




### Features

- Zinc die-cast hinge and mounting plates
- 110° opening angle
- Two piece assembly
- Wrap around, edge or face mount
- 1/2" cup depth
- $\pm 9/64$ " height adjustment
- $-1/8$ " side adjustment only

### Minimum reveal



General specs & installation  
BLUMOTION for doors

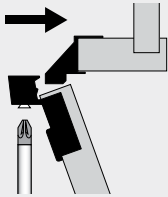
page 63  
page 73

### Overlay Application

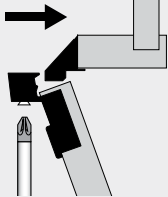
Screw-on	33.3600
Press-in 	33.3630

### Attachment

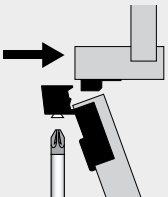
#### Wrap around



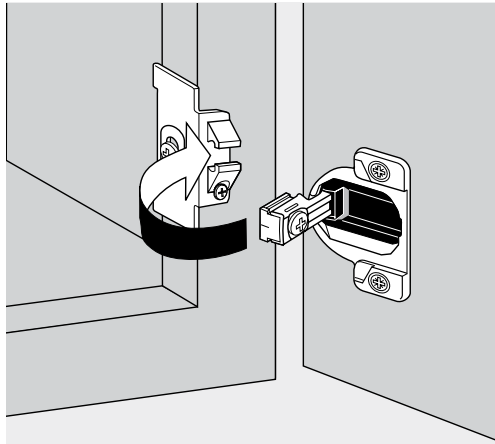
#### Edge mount



#### Face mount



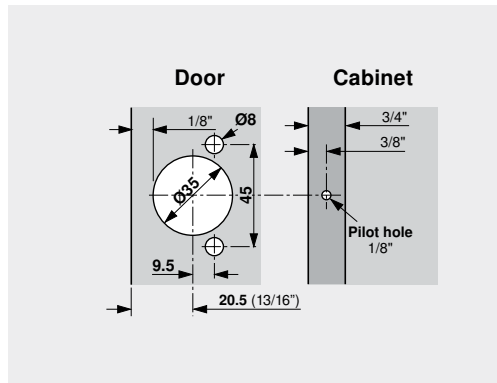
### Mounting



### Dimensions

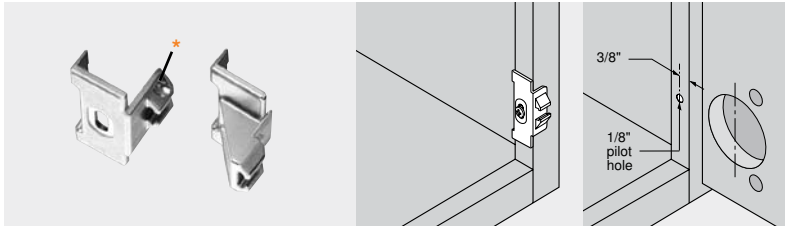
Vary by mounting plate (see page 68)

### Boring pattern



# COMPACT 33 mounting plates

## Wrap around mounting plates



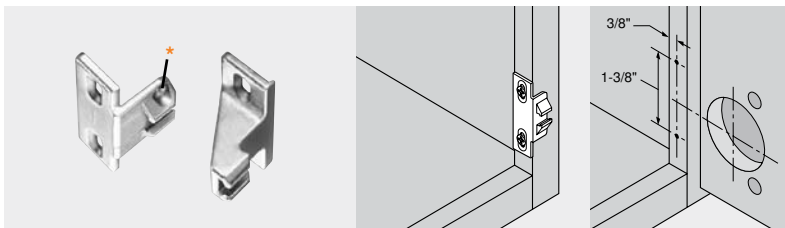
- Zinc die-cast, nickel plated
- Attached with #10 x 3/4" wood screws (**1034N**) or #8 x Self-drilling wood screws (**834TH**)
- Overlays from 1/2" to 1-5/8"

### Overlays

	1/2"	5/8"	3/4"	1"	1-1/8"
	130.2100.23	130.2100.26	130.2100.22	130.2110.02	130.2120.02
	1-1/4"	1-3/8"	1-1/2"	1-5/8"	
	130.2130.02	130.2140.02*	130.2150.02*	130.2160*	

\* An additional attachment screw is required on mounting plates with 1-3/8" to 1-5/8" overlays to insure stability. Install after height adjustments have been made.

## Edge mount mounting plates



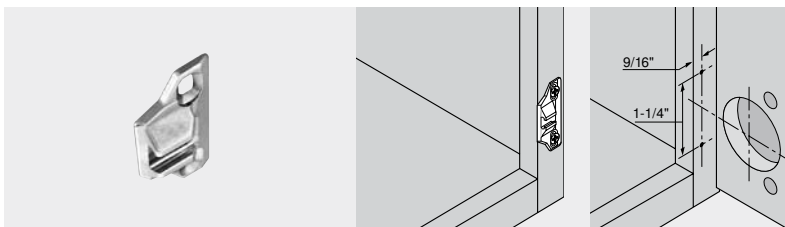
- Zinc die-cast, nickel plated
- Attached with #6 x 5/8" wood screws (**606P**)
- Overlays from 1/4" to 1-5/8"

### Overlays

	1/4"	1/2"	5/8"	3/4"	1"
	130.1100.24	130.1100.23	130.1100.26	130.1100.22	130.1110.02
	1-1/8"	1-1/4"	1-3/8"	1-1/2"	1-5/8"
	130.1120.02	130.1130.02	130.1140.02*	130.1150.02*	130.1160*

\* An additional attachment screw is required on mounting plates with 1-3/8" to 1-5/8" overlays to insure stability. Install after height adjustments have been made.

## Face mount mounting plates



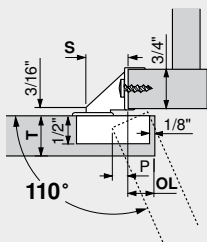
- Zinc die-cast, nickel plated
- Attached with #6 x 5/8" wood screws (**606P**)
- Overlay 1-3/8" or greater

### Overlays

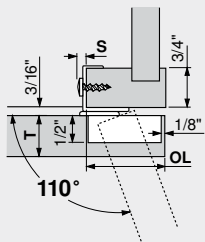
	1-3/8" +
	133.0240

## Mounting plate specifications

Maximum overlay of 1/2" using a 130.2100.23 wrap around plate



Maximum overlay of 1-5/8" using a 130.2160 wrap around plate



Hinge arm protrusion (S), and door protrusion (P), for **wrap around** mounting plates

Mounting Plate	OL	S	P
130.2100.23	1/2"	7/8"	1/4"
130.2100.26	5/8"	3/4"	1/8"
130.2100.22	3/4"	5/8"	0
130.2110.02	1"	3/8"	0
130.2120.02	1-1/8"	1/4"	0
130.2130.02	1-1/4"	3/16"	0
130.2140.02	1-3/8"	3/16"	0
130.2150.02	1-1/2"	3/16"	0
130.2160	1-5/8"	3/16"	0

Hinge arm protrusion (S), and door protrusion (P), for **edge mount** mounting plates

Mounting Plate	OL	S	P
130.1100.24	1/4"	1-1/8"	1/2"
130.1100.23	1/2"	7/8"	1/8"
130.1100.26	5/8"	3/4"	1/8"
130.1100.22	3/4"	5/8"	0
130.1110.02	1"	3/8"	0
130.1120.02	1-1/8"	1/4"	0
130.1130.02	1-1/4"	3/16"	0
130.1140.02	1-3/8"	3/16"	0
130.1150.02	1-1/2"	3/16"	0
130.1160	1-5/8"	3/16"	0

All dimensions in inches.

Subject to technical modifications without notice. © 2006