

SOLO general specifications

SOLO for frame cabinets

The 262(H/F) series cabinet profiles have integral front brackets for frame mounting and use rear sockets for rear attachment. They are designed to work with the standardized American face-frame cabinet depths of: 24", 21", 18", 15" and 12". The synthetic rear mounting sockets self-align the drawer and are screwed to the cabinet back.

SOLO for panel cabinets

The cabinet profiles of the SOLO 262. series have integral front and rear brackets that attach to the side or bottom of a cabinet. The mounting holes in these brackets are in a 32mm pattern, front-to-back, to work in system cabinets.

General specifications

Cabinet and drawer profiles

- Cream color, epoxy-coated steel, force guided on right, tolerance on left.
- Self-closing action on all profiles.
- Positive lift-over stop for drawer removal.
- Runners attach to the drawer bottom with wood screws.

Rollers

- Synthetic, self-lubricating on tempered steel axles.

Rear mount sockets

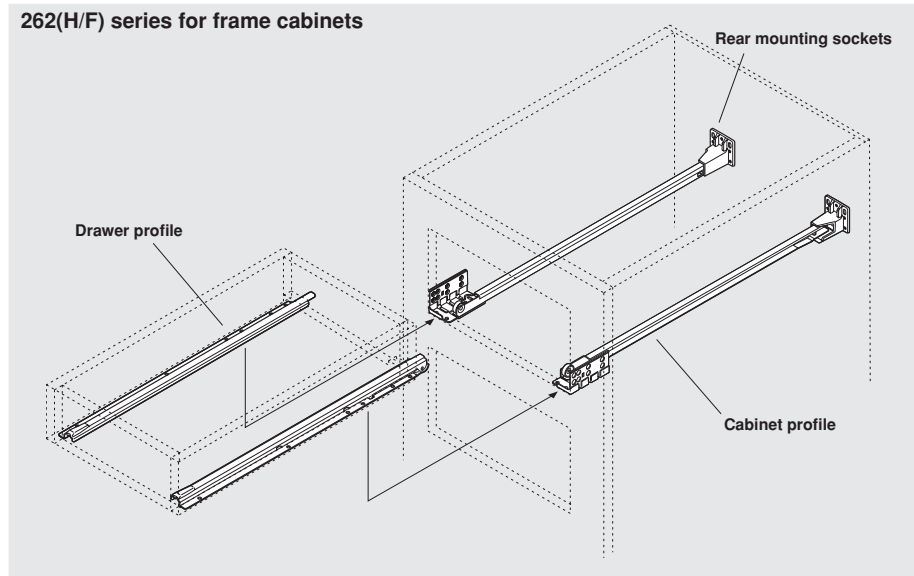
- Synthetic, self-aligning side-to-side, height and depth adjustable.

Weight capacities*

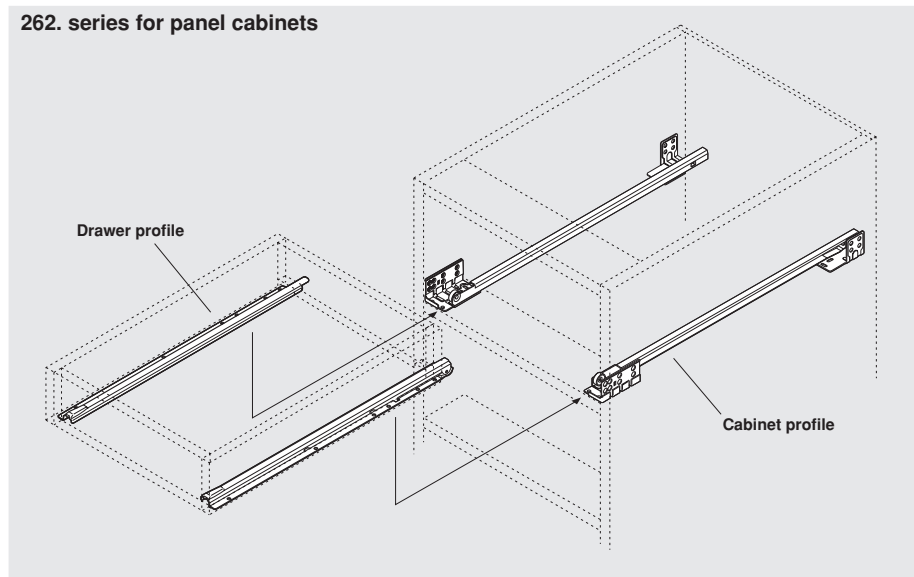
- 75 lbs **Dynamic** for 100,000 open/close cycles
- 100 lbs **Static** applied to half extended drawer

* As per ANSI/BHMA 156.9-1994 specifications on a 21" length drawer.

262(H/F) series for frame cabinets



262. series for panel cabinets



Series compatibility

Both SOLO series are designed with identical drawer width and height specifications. This makes it possible to mix SOLO runner series in the same cabinet with the same drawer size. The prime example is a bottom mounted roll-out tray in a frame cabinet.

System compatibility

SOLO is engineered to be compatible with Blum's TANDEM. This permits an upgrade from SOLO to TANDEM (including TANDEM plus full extension series) without changing drawer specifications. (see page 5)

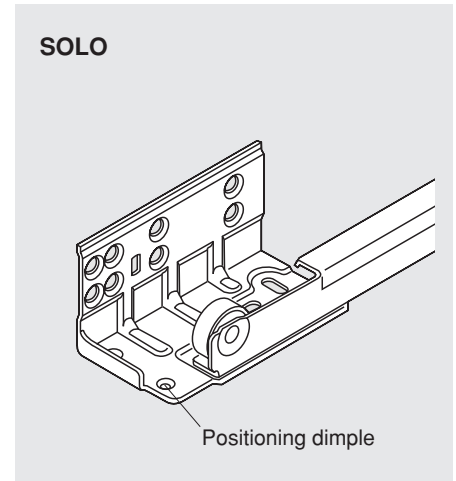
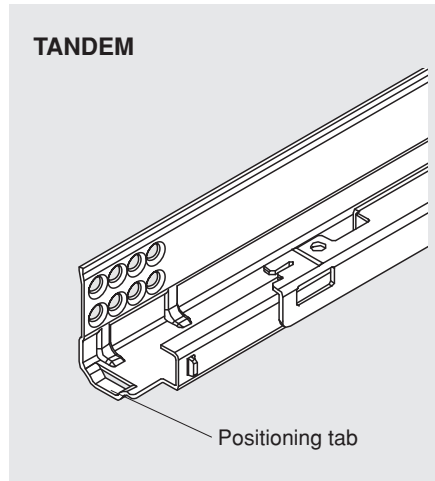
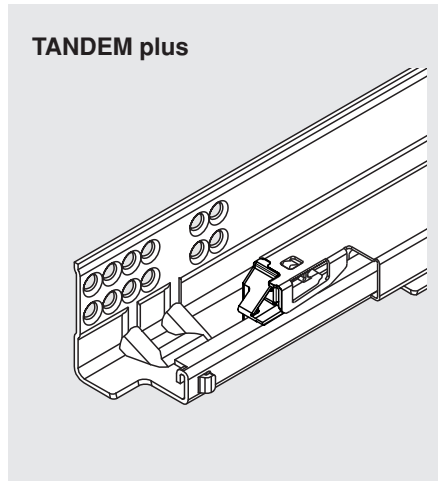
SOLO / TANDEM interchangeable drawer runners

Height compatible drawer runner systems

The full extension TANDEM plus series runner establishes the standard height used for the concealed runners.

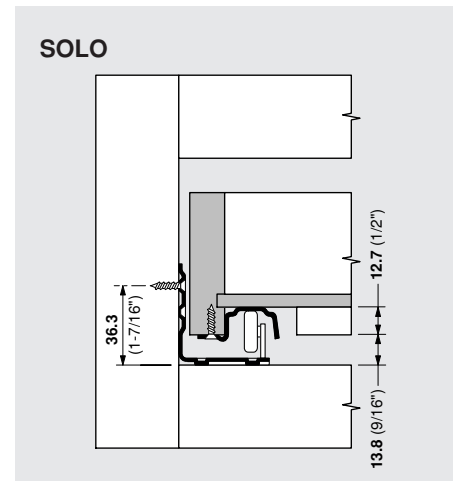
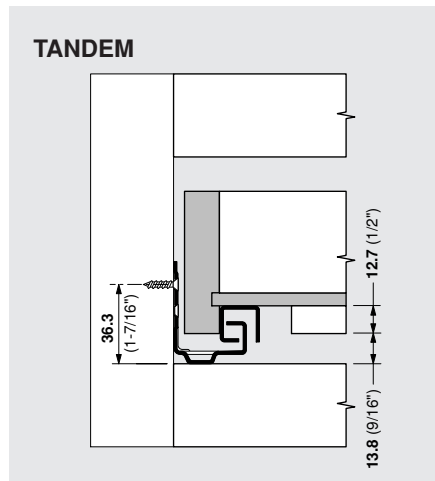
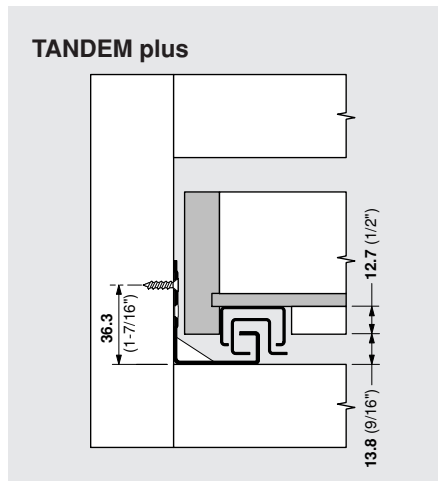
The standard extension TANDEM series runner has a stamped positioning tab that raises the mounting holes up to the same height as the TANDEM plus.

The standard extension SOLO series runner has a positioning dimple that raises the mounting holes up to the same height as the TANDEM and TANDEM plus.



Standard mounting position

The standard mounting position of the concealed runner series gives each runner an identical mounting position in the cabinet and allows for identical drawer box positioning in the cabinet opening. The standard mounting position allows for simple interchangeability.



The TANDEM and SOLO series runner systems are based on the standard 3" cabinet system, therefore the runner lengths come in 3" increments.

